

# Carbide Tipped Bottom Cleaning

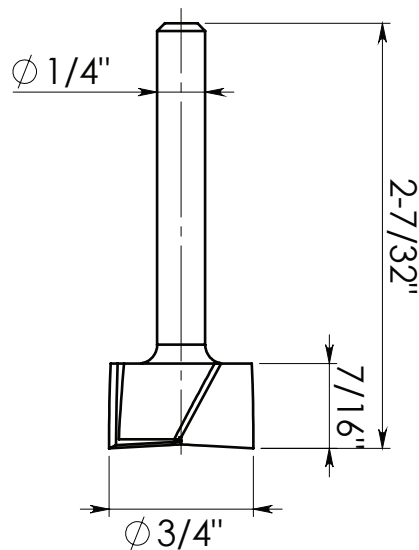
## 45560

**INDUSTRIAL**

This is an Amana Tool proprietary drawing.

**Warning:** This DXF file shall be used on a CNC machine only, in accordance with the Amana Tool® product number listed above. This DXF file shall never be used with any other tools or products including, without limitation, those with similar measurements. Failure to adhere to this warning is dangerous and can result in bodily injury or property damage.

© Copyright Amana Tool® All Rights Reserved



# Carbide Tipped Bottom Cleaning

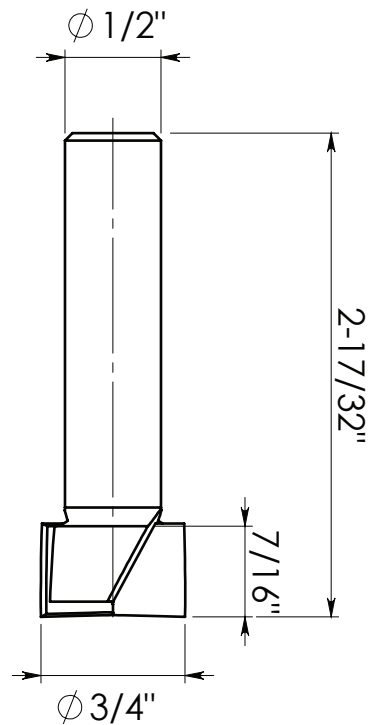
## 45562

**INDUSTRIAL**

This is an Amana Tool proprietary drawing.

**Warning:** This DXF file shall be used on a CNC machine only, in accordance with the Amana Tool® product number listed above. This DXF file shall never be used with any other tools or products including, without limitation, those with similar measurements. Failure to adhere to this warning is dangerous and can result in bodily injury or property damage.

© Copyright Amana Tool® All Rights Reserved



# Carbide Tipped Bottom Cleaning

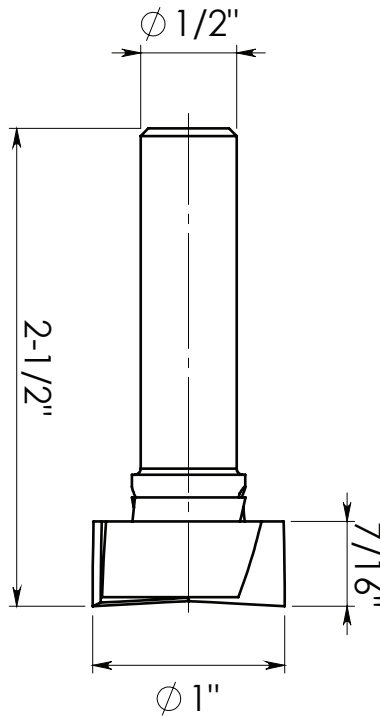
## 45564

**INDUSTRIAL**

This is an Amana Tool proprietary drawing.

**Warning:** This DXF file shall be used on a CNC machine only, in accordance with the Amana Tool® product number listed above. This DXF file shall never be used with any other tools or products including, without limitation, those with similar measurements. Failure to adhere to this warning is dangerous and can result in bodily injury or property damage.

© Copyright Amana Tool® All Rights Reserved



# Carbide Tipped Bottom Cleaning

## 45566

**INDUSTRIAL**

This is an Amana Tool proprietary drawing.

**Warning:** This DXF file shall be used on a CNC machine only, in accordance with the Amana Tool® product number listed above. This DXF file shall never be used with any other tools or products including, without limitation, those with similar measurements. Failure to adhere to this warning is dangerous and can result in bodily injury or property damage.

© Copyright Amana Tool® All Rights Reserved

